

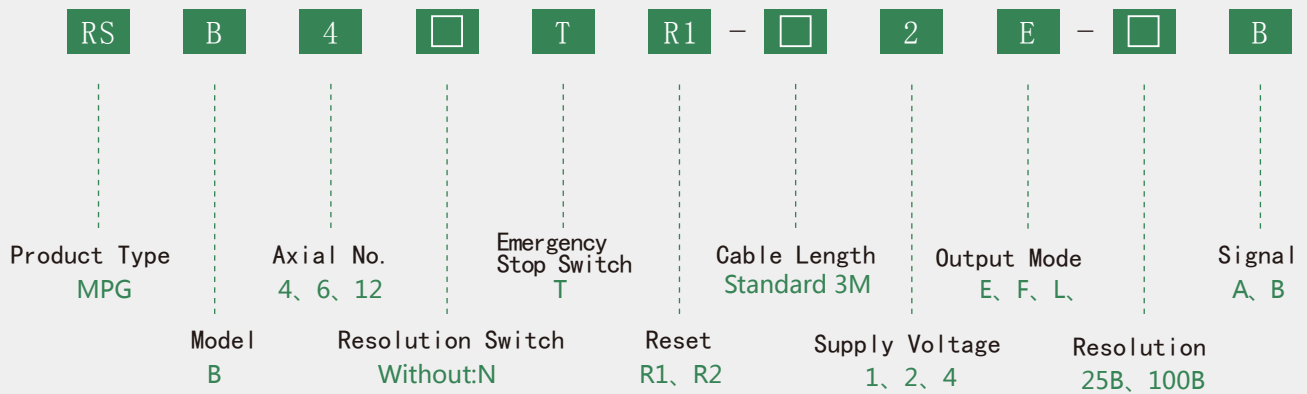
# 产品选型手册

Product selection guide



RSB Series

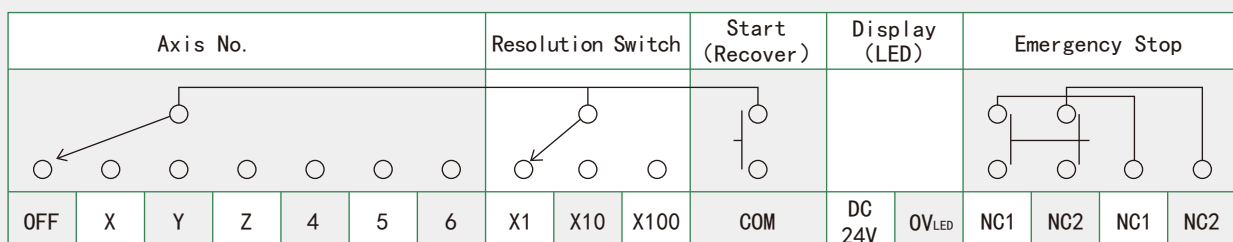
# Part Number



# Specifications

Output Pulse		100P/R	25P/R
Output Mode		Voltage Output	Line Driver Output
Supply Voltage		DC5~15V/10~30V	DC5~0.25V
Consumption Current		≤60mA	≤150mA
Output Voltage	High-level Voltage	≥V <sub>CC</sub> -1V	≥2.5V
	Low-level Voltage	≤0.5V	≤0.5V
Rise/Fall Time		≤1us	≤0.1us
Frequency Response		≤30 kHz	
Isolation Resistance		≥20MΩ	
Normal Mechanical Speed		≤200r/min	
Max Mechanical Speed		600r/min	
Operating Temperature		-10~+60°C	
Storage Temperature		-20~+70°C	
Size		164*84*34mm	

# MPG Function



# Connection

## 17 Pin Cable Wire, Voltage Output Type

Color	Dark Blue	Light Blue	Red-Black	Blue-Black	Red	Black	Yellow	White	Transparent	Green-Black	Transparent Black	Green	Orange	Brown
Signal	4	COM	+L	-L	VCC	0V	A	B	*1	*10	*100	X	Y	Z

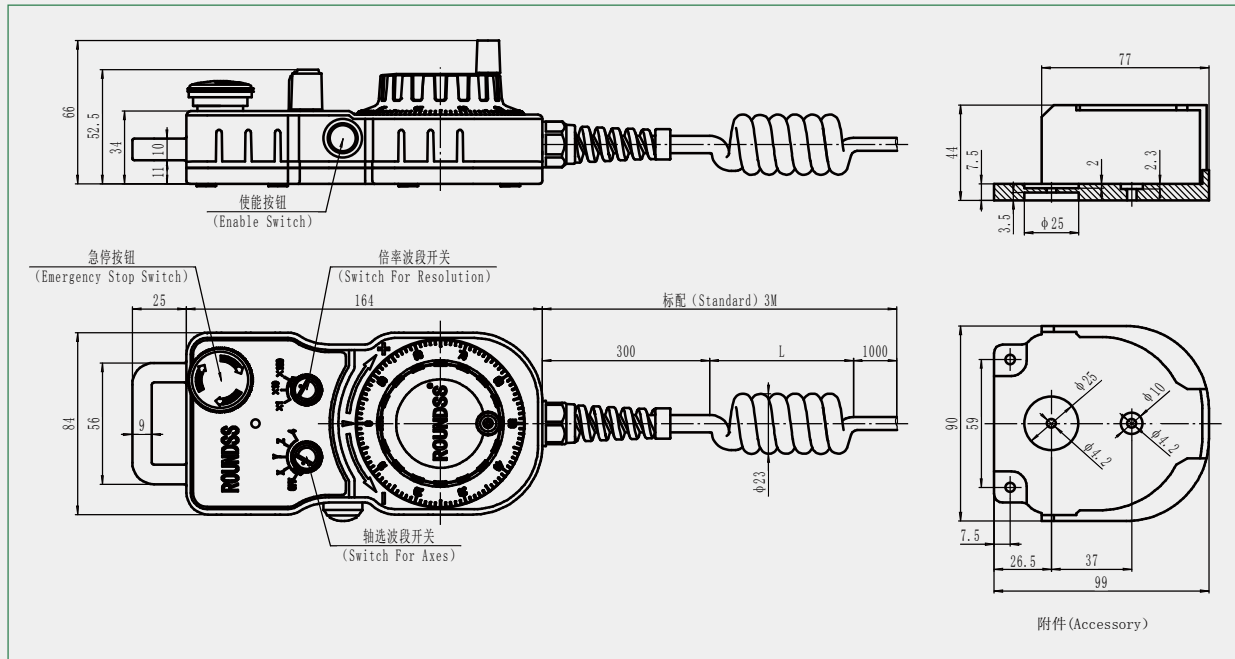
## 17 Pin Cable Wire, Line Driver Output Type

Color	Dark Blue	Light Blue	Red-Black	Blue-Black	Red	Black	Yellow	White	Transparent	Green-Black	Transparent Black	Green	Orange	Brown	Pink	Purple
Signal	4	COM	+L	-L	VCC	0V	A	B	81	*10	*100	X	Y	Z	A	B

## 21 Pin Cable Wire

Color	Gray	Gray-Black	White-Black	Light Blue	Green	Brown	Brown-Black	Orange	Red-Black	Blue-Black	Red	Black	Yellow	White	Yellow-Black	Orange-Black	Green-Black	Purple-Black
Signal	*1	*10	*100	COM	X	Z	4	Y	+L	-L	VCC	0V	A	B	K1	K2	K3	K4

# Dimension



长春荣德光学有限公司

TEL: 400-618-6766

