

产品选型手册

Product selection guide



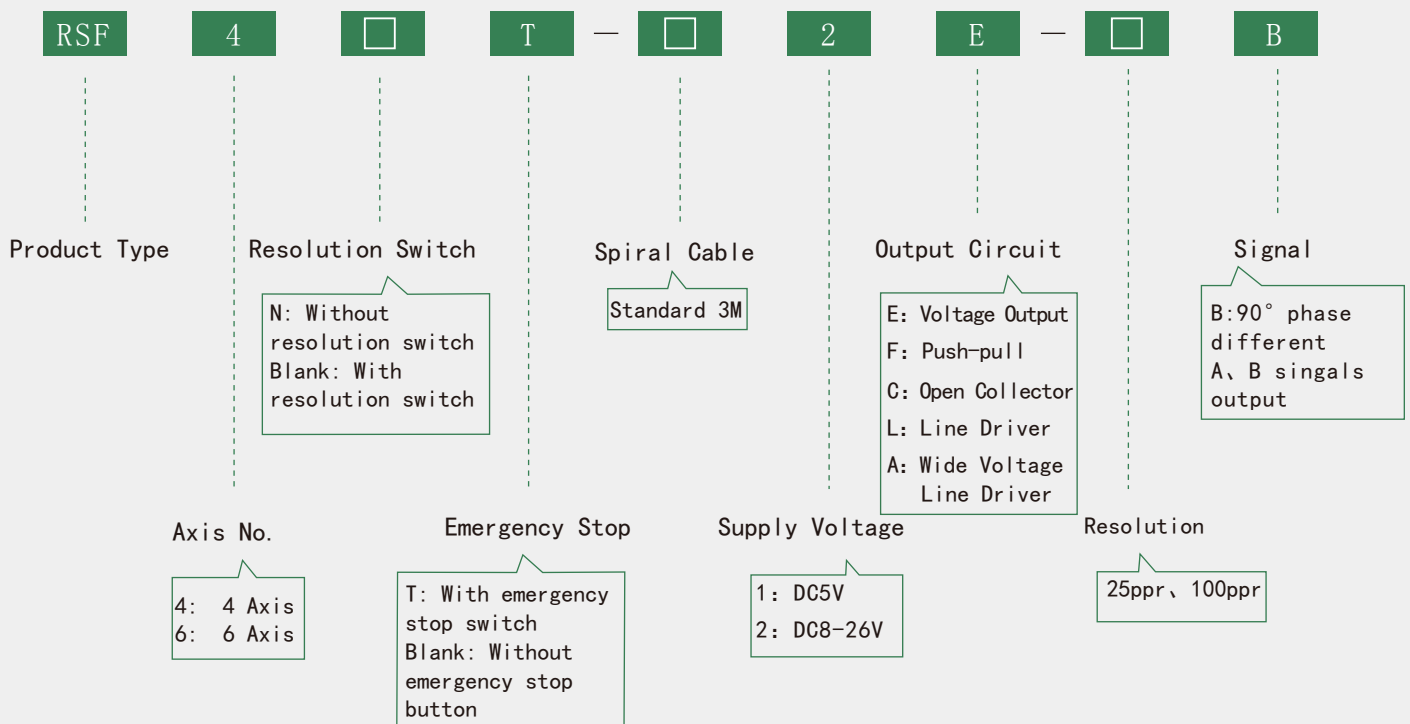
RSF Series

Applications & Features



All-plastic housing, anti-oil, sealed
 With axis selection switch and resolution switch
 Emergency stop switch and reset switch optional
 Housing with hook and magnet
 Used for origin correction and signal segmentation
 of CNC machine tools.

Part Number



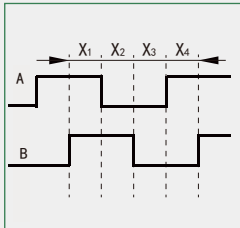
Electrical Specifications

Output Circuit	Supply Voltage DC (V)	Current Requirement (mA)	Output Voltage (V)		Rise Time (ns)	Fall Time (ns)	Frequency Response (kHz)
			V _H	V _L			
E (Voltage)	5±0.25	≤60	≥3.5	≤0.5	≤500	≤100	0~100
	8~26		≥V _{CC} -2.5	≤0.5	≤1500	≤300	
C (Open Collector)	5±0.25	≤60	/	/	/	/	0~100
	8~26		/	/	/	/	
L (Line driver)	5±0.25	≤100	≥2.5	≤0.5	≤200	≤200	0~100
A (Wide Voltage Line Driver)	8~26	≤80	≥V _{CC} -2.5	≤0.8	≤800	≤200	0~100
F (Push Pull)	5±0.25	≤60	≥3.5	≤0.8	≤300	≤200	0~100
	8~26		≥V _{CC} -2.5	≤1.0	≤500	≤200	

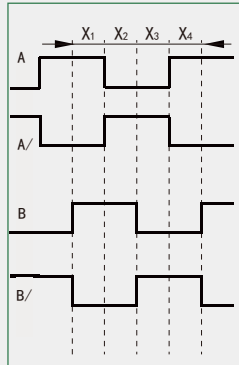
Output Circuit

E (Voltage)		F (Push-pull)		C (Open Collector)	L, A (Line Driver)
5V	8-26V	5V	8-26V		
					 L: 26C31 A: ET7272B

Output Waveform



Waveform for C, E, F output



Waveform for L, A output

- Wave Ratio : $X_1+X_2=0.5T \pm 0.1T$
 $X_2+X_3=0.5T \pm 0.1T$
- Phase Different : $X_n \geq 0.125T$ ($n=1, 2, 3, 4$)
- Absolute Angle Error: $\leq 0.2T$
- Cycle Error : $\leq 0.05T$
- $T=360^\circ / N$ (N =lines count per revolution)

MPG Function

Axis No.							Resolution Switch			Start (Recover)	Display (LED)		Emergency Stop			
OFF	X	Y	Z	4	5	6	X1	X10	X100	COM	DC 24V	OVLED	NC1	NC2	NC1	NC2

Environmental Specifications

Max. Speed	600r/min
Operating Temp.	-10~+60°C
Store Temp.	-20~+70°C
Size	153.5*70*65mm
Weight	Approx. 0.655kg

Connection

17 Pins Cable Wire, 4 Axis

Cable Color	DBU	LBU	RD/BK	BU/BK	RD	BK	YL	WH	CR	GY	CR/BK	GN	OG	BN	PK	PL
L	4	COM	+L	-L	VCC	OV	A	B	X1	X10	X100	X	Y	Z	A/	B/
E	4	COM	+L	-L	VCC	OV	A	B	X1	X10	X100	X	Y	Z	/	/

21 Pins Cable Wire, 4 Axis with Emergency Stop Button

Cable Color	GY	GY/BK	WH/BK	LBU	GN	BN	BN/BK	OG	RD/BK	BU/BK	RD	BK	YL	WH	YL/BK	OG/BK	GN/BK	PL/BK	PK	PL
L	X1	X10	X100	COM	X	Z	4	Y	+L	-L	VCC	OV	A	B	K1	K2	K3	K4	A/	B/
E	X1	X10	X100	COM	X	Z	4	Y	+L	-L	VCC	OV	A	B	K1	K2	K3	K4	/	/

17 Pins Cable Wire, 6 Axis, Voltage Output

Cable Color	DBU	LBU	RD/BK	BU/BK	RD	BK	YL	WH	CR	GN/BK	CR/BK	GN	OG	BN	PK	PL
E	4	COM	+L	-L	VCC	OV	A	B	X1	X10	X100	X	Y	Z	5	6

21 Pins Cable Wire, 6 Axis, Line Driver Output

Cable Color	GY	GY/BK	WH/BK	LBU	GN	BN	BN/BK	OG	RD/BK	BU/BK	RD	BK	YL	WH	YL/BK	OG/BK	PK	PL
L	X1	X10	X100	COM	X	Z	4	Y	+L	-L	VCC	OV	A	B	5	6	A/	B/

21 Pins Cable Wire, 6 Axis with Emergency Stop Button, Voltage Output

Cable Color	GY	GY/BK	WH/BK	LBU	GN	BN	BN/BK	OG	RD/BK	BU/BK	RD	BK	YL	WH	YL/BK	OG/BK	GN/BK	PL/BK	PK	PL
E	X1	X10	X100	COM	X	Z	4	Y	+L	-L	VCC	OV	A	B	K1	K2	K3	K4	5	6

24 Pins Cable Wire, 6 Axis with Emergency Stop Button, Line Driver Output

Cable Color	CR	CR/WH	WH/BK	LBU	WH/RD	WH/BU	GN	OG	BN	DBU	GY	WH/GY	YL	WH	BK	RD	WH/YL	WH/OG	WH/GN	WH/PL	PK	PL
L	X1	X10	X100	COM	+L	-L	X	Y	Z	4	5	6	A	B	OV	Vcc	K1	K2	K3	K4	A/	B/

