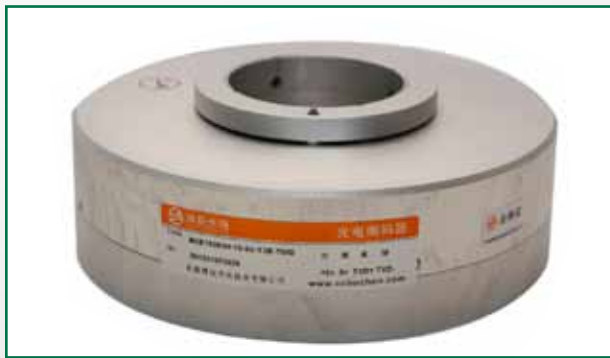


Absolute Encoder

绝对式编码器

Operation Manual

使用说明书



RAA165B60 · Series

1.1 Appearance and Features

Appearance:

- 1.Shell Color: Black、Silver (Optional) .
- 2.Surface Treatment: Sandblast Oxidation.
- 3.Termination: Radial Output.
- 4.Cable Length: 1m (Can be customized) .
- 5.Color of Cable: Black、Gray (Optional) .

Features:

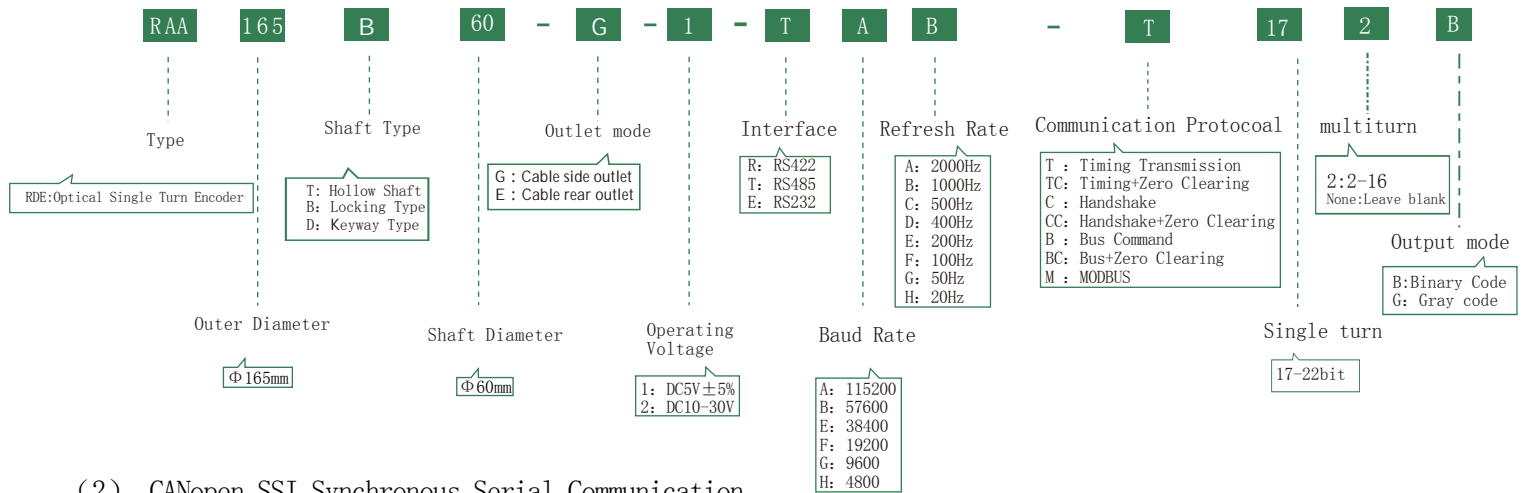
- 1.Large hollow shaft diameter products, military standards.
- 2.Durable, long life, high precision, anti-interference.
- 3.Wide temperature range, suitable for all kinds of environments.



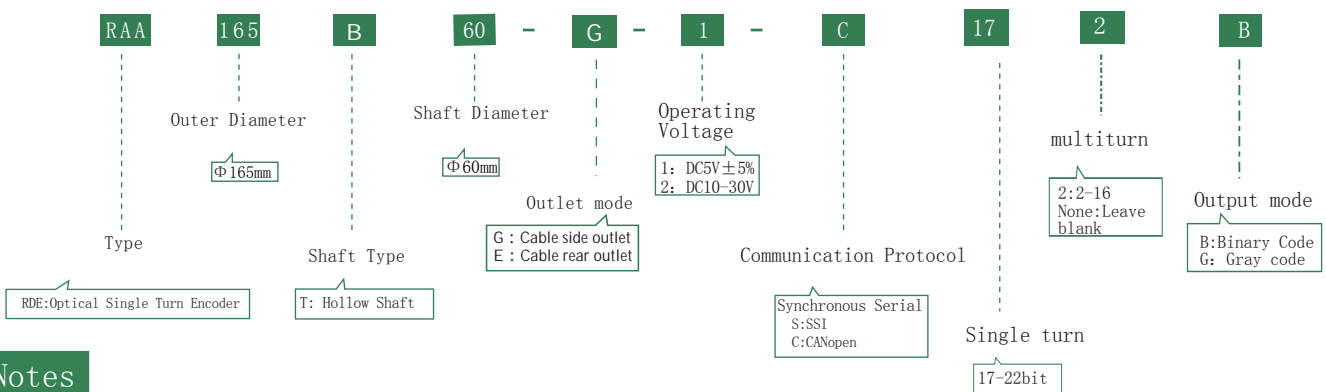
RAA165B60

1.2 Part Number Defined

(1) Asynchronous Serial Communication



(2) CANopen, SSI, Synchronous Serial Communication



1.3 Notes

- 1.Please follow the instructions to use flexible connections for mounting to ensure the accuracy and service life of products.
- 2.Encoders are precise instruments adjusted strictly before leaving factory. Strong impact, dismantlement and changes on encoders are not allowed.
- 3.To guarantee the accuracy and work of encoder, when the operating voltage is DC5V $\pm 5\%$:
 - (1) Cable length should not exceed 2 meters.
 - (2) The current of the power supply should not be less than 0.5A.
 - (3) The interference signal of the power supply should be within $\pm 50\text{mV}$.
- When operating voltage is 10-30V:
 - (1) The current of the power supply should not be less than 0.3A.
 - (2) The interference signal of the power supply should be within $\pm 50\text{mV}$.
- 4.The corresponding supply voltage and connections to the equipment should be paid attention by the professional installation people.
- 5.Please read the instructions carefully before using the product.

2.1 Basic Specifications

Resolution in Bit	17~22bit	Measuring Range	0 ~ 360° (Single-turn)			
Resolution in Bit	17 bit	18 bit	19 bit	20 bit	21 bit	22 bit
Angular Resolution	10"	5"	2.5"	1.2"	0.6"	0.3"
Accuracy \leq	$\pm 20''$	$\pm 15''$	$\pm 10''$	$\pm 7.5''$	$\pm 6''$	$\pm 4''$

2.2 Environment Specifications

Working Temperature	-40℃~+65℃	Protection Class	IP54
Storage Temperature	-50℃~+70℃		

