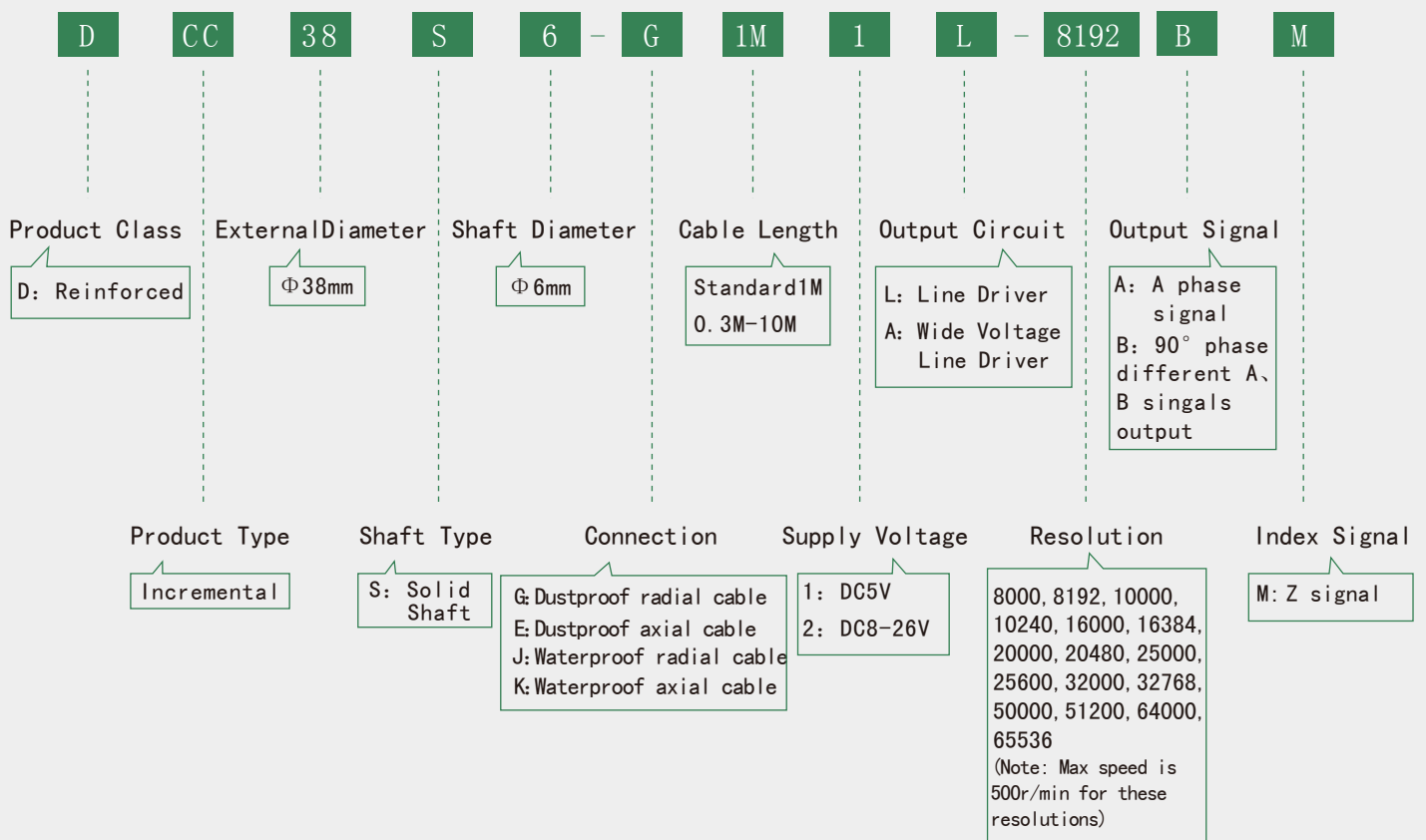


Applications & Features



DCC38S is widely used in various mechanical industrial control, especially in the printing and packing industry. Small size, light weight and high precision. Through the axial length changes, the encoder can be adapted to the more different environment, is the preferred higher quality and low cost product.

Part Number



Electrical Specifications

Output Circuit	Supply Voltage DC (V)	Current Requirement (mA)	(Output Voltage V)		Rise Time (ns)	Fall Time (ns)	Frequency Response (kHz)
			V _H	V _L			
L (Line Driver)	5±0.25	≤100	>3.5	≤0.7	≤200	≤200	0-300
A (Wide Voltage Line Driver)	8-26	≤60	>VCC-2.5	≤0.7	≤500	≤100	0-300

产品选型手册

Product selection guide

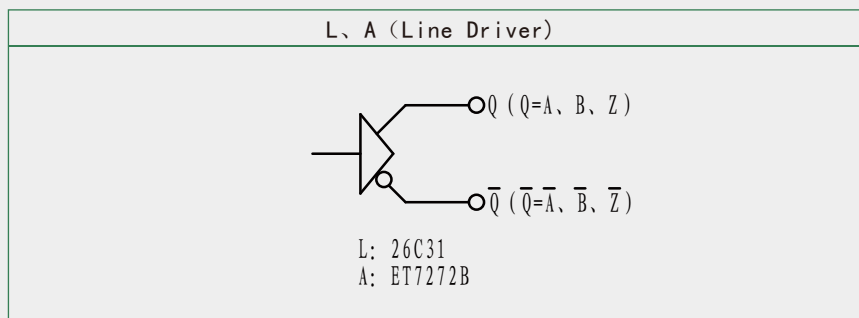


DCC38S6 · Series

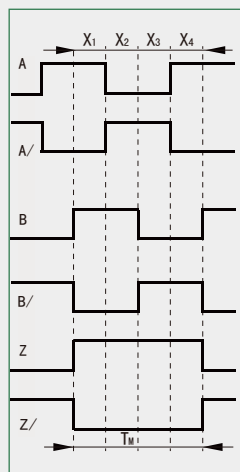
Mechanical Specifications

Max Speed (r/min)	Starting Torque (N. M)	Max Load (N)		Rotary Inertia (kgm ²)	Weight (kg)
		Radial	Axial		
500	1×10^{-3}	30	20	4×10^{-6}	≈ 0.135

Output Circuit



Output Waveform



Wave Ratio : $X1+X2=0.5T \pm 0.1T$
 $X2+X3=0.5T \pm 0.1T$

Phase Different : $Xn \geq 0.125T$ ($n=1, 2, 3, 4$)

Absolute Angle Error: $\leq 0.2T$

Cycle Error : $\leq 0.05T$

$T=360^\circ / N$ (N =lines count per revolution)

Width of Z signal

1、 $Tm=1T \pm 0.5T$

$Tm=nT \pm 0.1T$ ($n \geq 2$)

The phase relationship of Z signal and A, B signal is not stipulated.

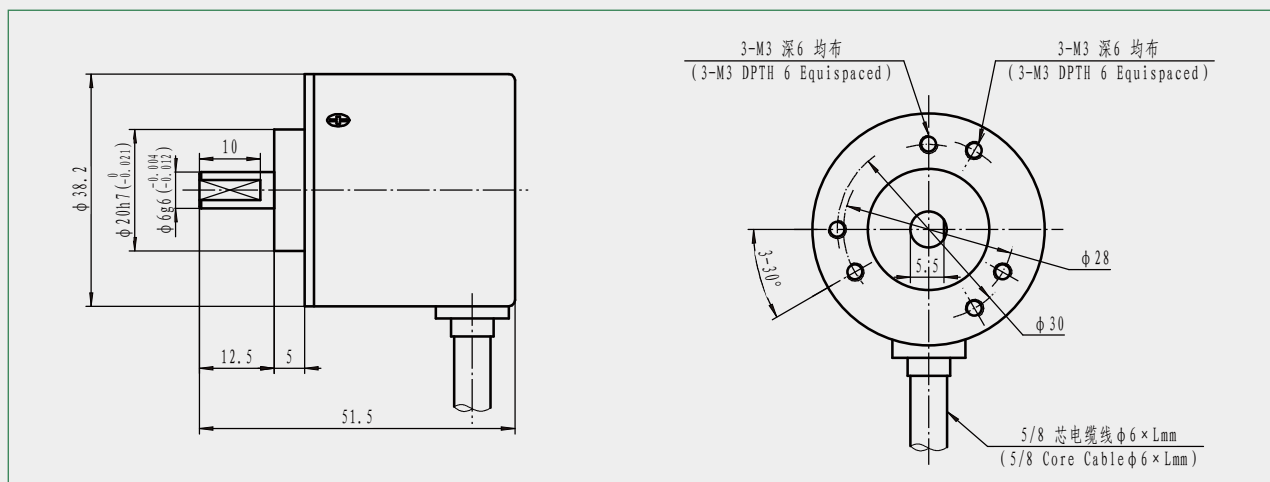
2、 $Tm=0.5T \pm 0.25T$

$Tm=0.25T \pm 0.125T$

$Tm=0.25T \pm 0.125T$

The picture shows the clockwise (CW) waveform from the shaft side.

Dimension



Environmental Specifications

Operating Temperature (°C)	-20~+85
Storage Temperature (°C)	-30~+90
Relative Humidity	35%~85%RH no condensation
Impact Resistance (m/s ²)	980 (Three times each on x, y, z directions, each time lasts 6ms)
Vibration Resistance (m/s ²)	50 (10~200Hz, 2h on x, y, z directions)
Protection Class	IP65

Connections

Cable Color	Red	Black	Green	Brown	White	Grey	Yellow	Orange	Shield
L, A (Line Driver)	Vcc	0V	A	A/	B	B/	Z	Z/	G

China Rongde Optics Co., Ltd
www.roundssencoder.com

