

产品选型手册

Product selection guide



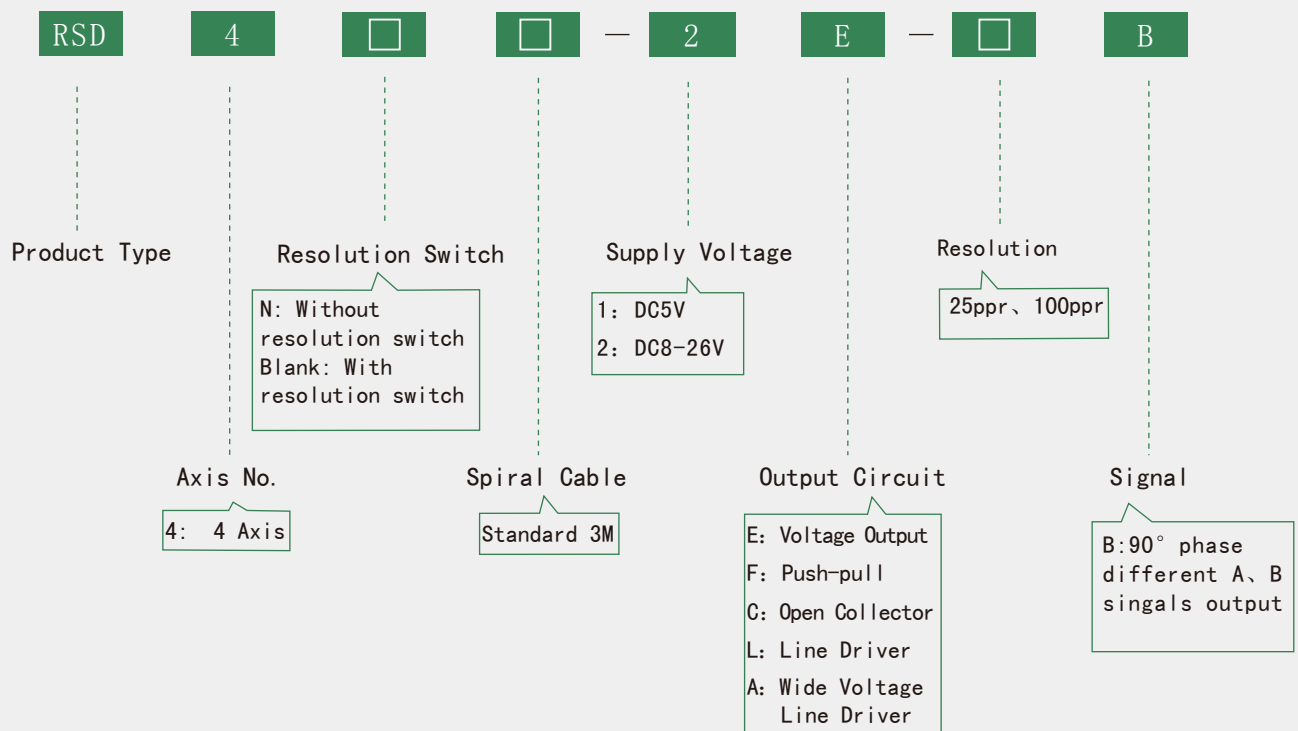
RSD Series

Applications & Features



New design, compact size.
 All-plastic housing, anti-oil, sealed.
 With axis selection switch and resolution switch.
 Housing with hook and magnet.
 Used for CNC machine tools and printing machinery.

Part Number



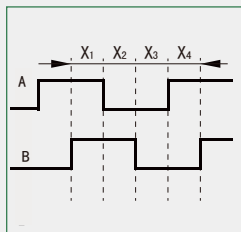
Electrical Specifications

Output Circuit	Supply Voltage DC (V)	Current Requirement (mA)	Output Voltage (V)		Rise Time (ns)	Fall Time (ns)	Frequency Response (kHz)
			V _H	V _L			
E (Voltage)	5±0.25	≤60	≥3.5	≤0.5	≤500	≤100	0~100
	8~26		≥V _{CC} -2.5	≤0.5	≤1500	≤300	
C (Open Collector)	5±0.25	≤60	/	/	/	/	0~100
	8~26		/	/	/	/	
L (Line driver)	5±0.25	≤100	≥2.5	≤0.5	≤200	≤200	0~100
A (Wide Voltage Line Driver)	8~26	≤80	≥V _{CC} -2.5	≤0.8	≤800	≤200	0~100
F (Push Pull)	5±0.25	≤60	≥3.5	≤0.8	≤300	≤200	0~100
	8~26		≥V _{CC} -2.5	≤1.0	≤500	≤200	

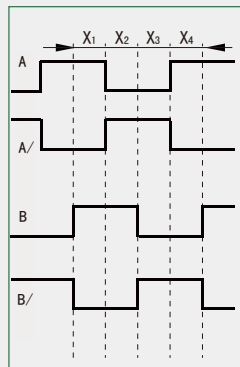
Output Circuit

E (Voltage)		F (Push-pull)		G (Open Collector)	L, A (Line Driver)
5V	8-26V	5V	8-26V		
					<p>L: 26C31 A: ET7272B</p>

Output Waveform



Waveform for C, E, F output



Waveform for L, A output

- Wave Ratio : $X1+X2=0.5T \pm 0.1T$
 $X2+X3=0.5T \pm 0.1T$
- Phase Different : $Xn \geq 0.125T$ ($n=1, 2, 3, 4$)
- Absolute Angle Error: $\leq 0.2T$
- Cycle Error : $\leq 0.05T$
- $T=360^\circ / N$ (N =lines count per revolution)

MPG Function

Axis No.							Resolution Switch			Start (Recover)	Display (LED)		Emergency Stop			
OFF	X	Y	Z	4	5	6	X1	X10	X100	COM	DC 24V	OV _{LED}	NC1	NC2	NC1	NC2

Environmental Specifications

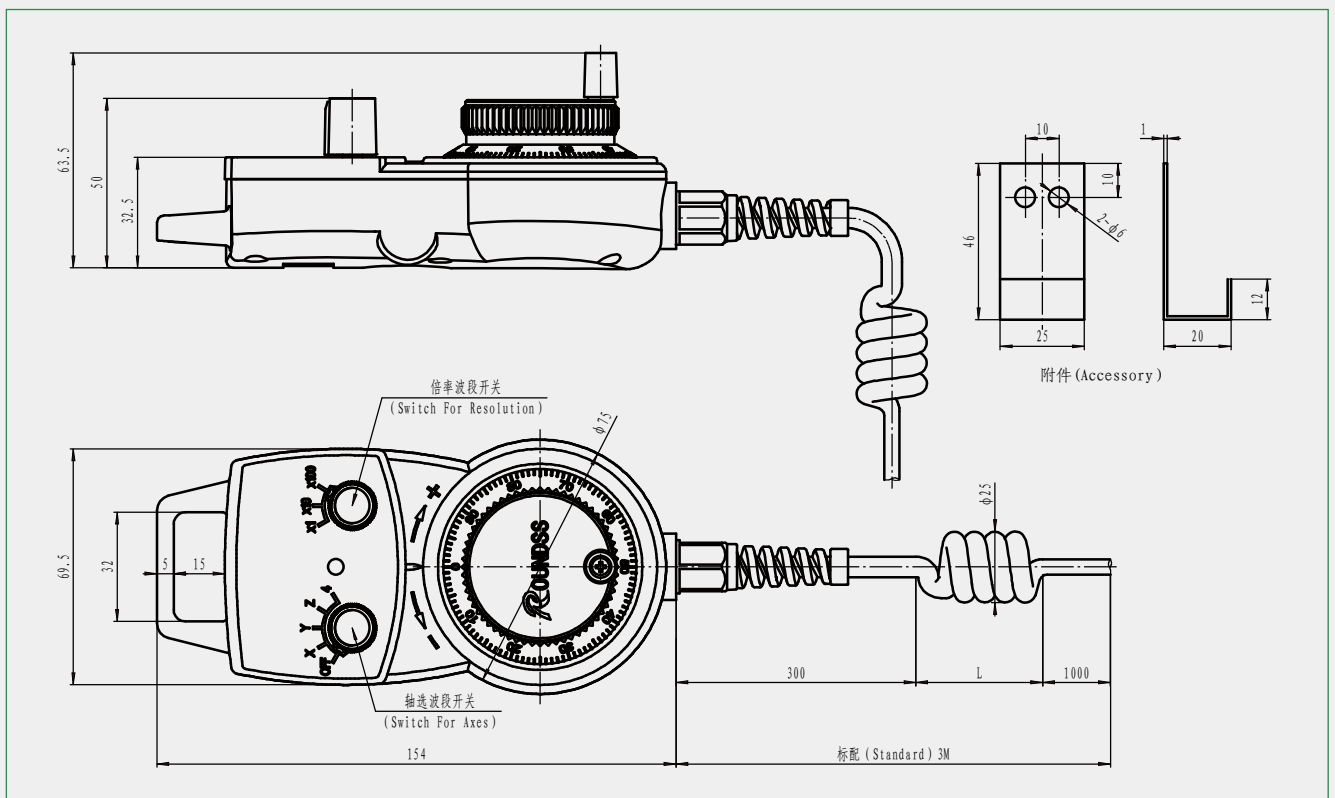
Max. Speed	600r/min
Operating Temp.	-10~+60°C
Store Temp.	-20~+70°C
Size	154*69.5*63.5mm
Weight	Approx. 0.57kg

Connection

17 Pins Cable Wire, 4 Axis

Cable Color	DBU	LBU	RD/BK	BU/BK	RD	BK	YL	WH	CR	GY	CR/BK	GN	OG	BN	PK	PL
L	4	COM	+L	-L	VCC	OV	A	B	X1	X10	X100	X	Y	Z	A/	B/
E	4	COM	+L	-L	VCC	OV	A	B	X1	X10	X100	X	Y	Z	/	/

Dimension



China Rongde Optics Co., Ltd

www.roundssencoder.com

