

产品选型手册

Product selection guide



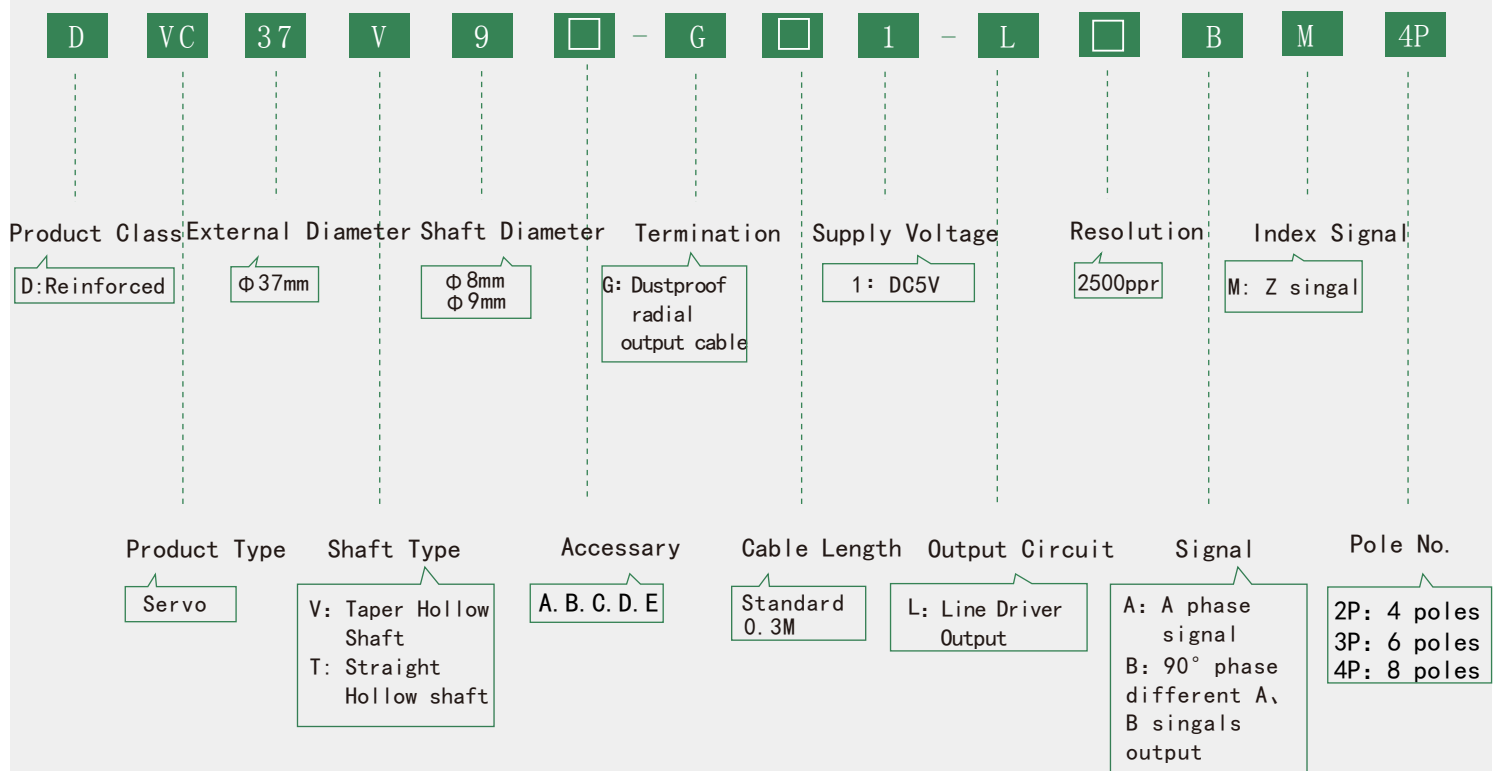
DVC 37 • Series

Applications & Features



Compact, slim design, high-precision, resolutions up to 2500ppr. Straight and taper shaft are optional. Import optoelectronic components, high anti-interference ability.

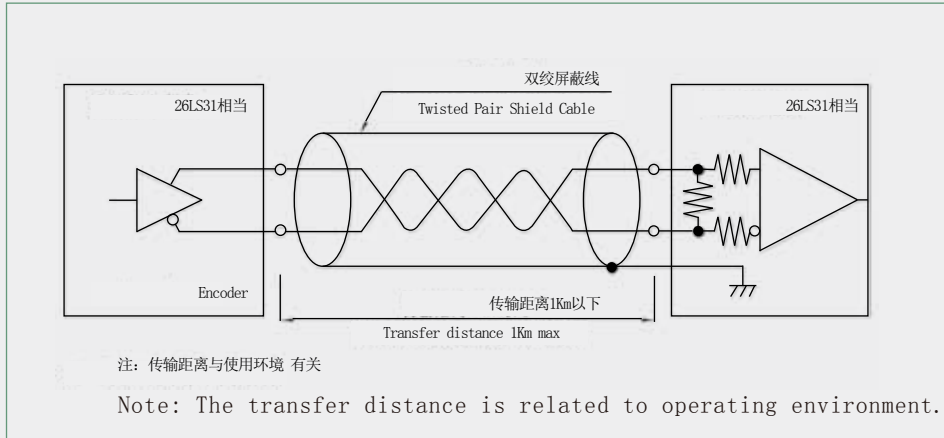
Part Number



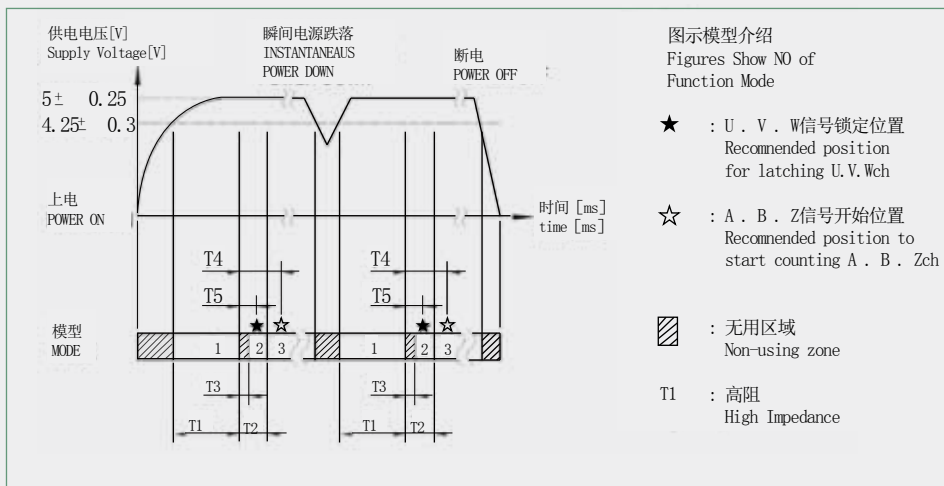
Specifications

Mechanical Specifications	Standard Type	
	Universal Max Rotating Speed	8000rpm
Max Rotating Speed	15000rpm	
Start Torque	9.8×10 N·m (100gk·cm Max)	
Moment of Inertia	6.5×10 kg·m ² (65g·cm ² Max)	
Mounting Tolerance	Radial Play 0.05mm TIR Max	
	Axial Play 0.2mm Max	
	Angular Inclination 0.1° Max	
Breaking Strength of Shaft and Bearing	≥650N	
Axial Pressure±10N	Axial End-play Within ±0.005mm	
Electrical Specifications	Standard	Less Wiring
	Output Mode	Square Wave(TTL) 26LS31
Supply Voltage (V)	5V±5%	
Consumption Current (mA)	≤60mA	≤80mA
Max Response Frequency (kHz)	300kHz	
Rise time & Fall Time	100nec Max	
Operating Temp. Range	-20~+85°C	
Storage Temp.	-30~+120°C	
Weight	0.05kg Max	
Protection Class	IP 50	

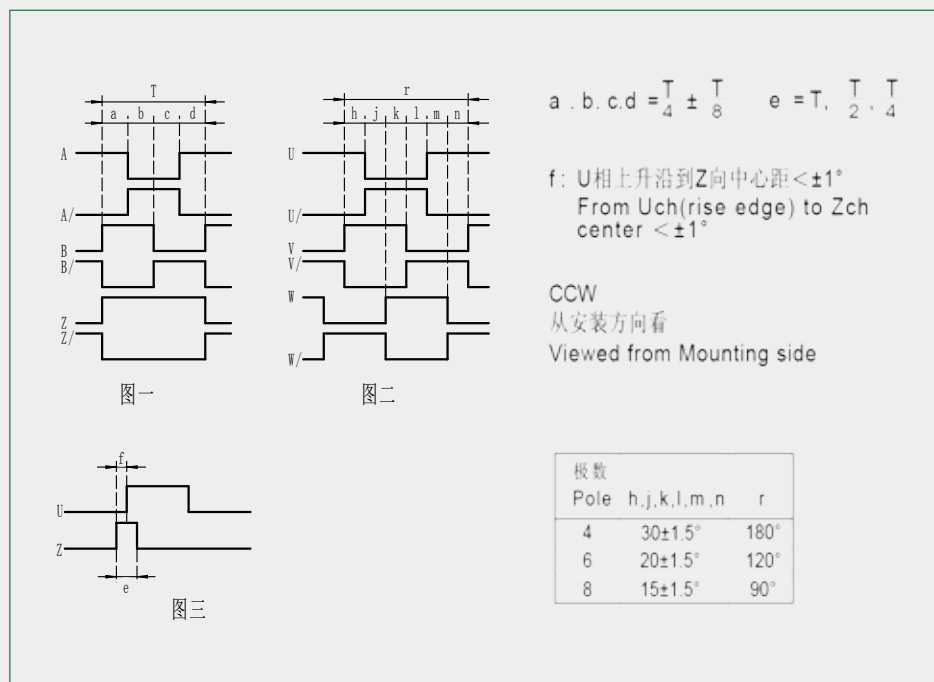
Line Driver Output

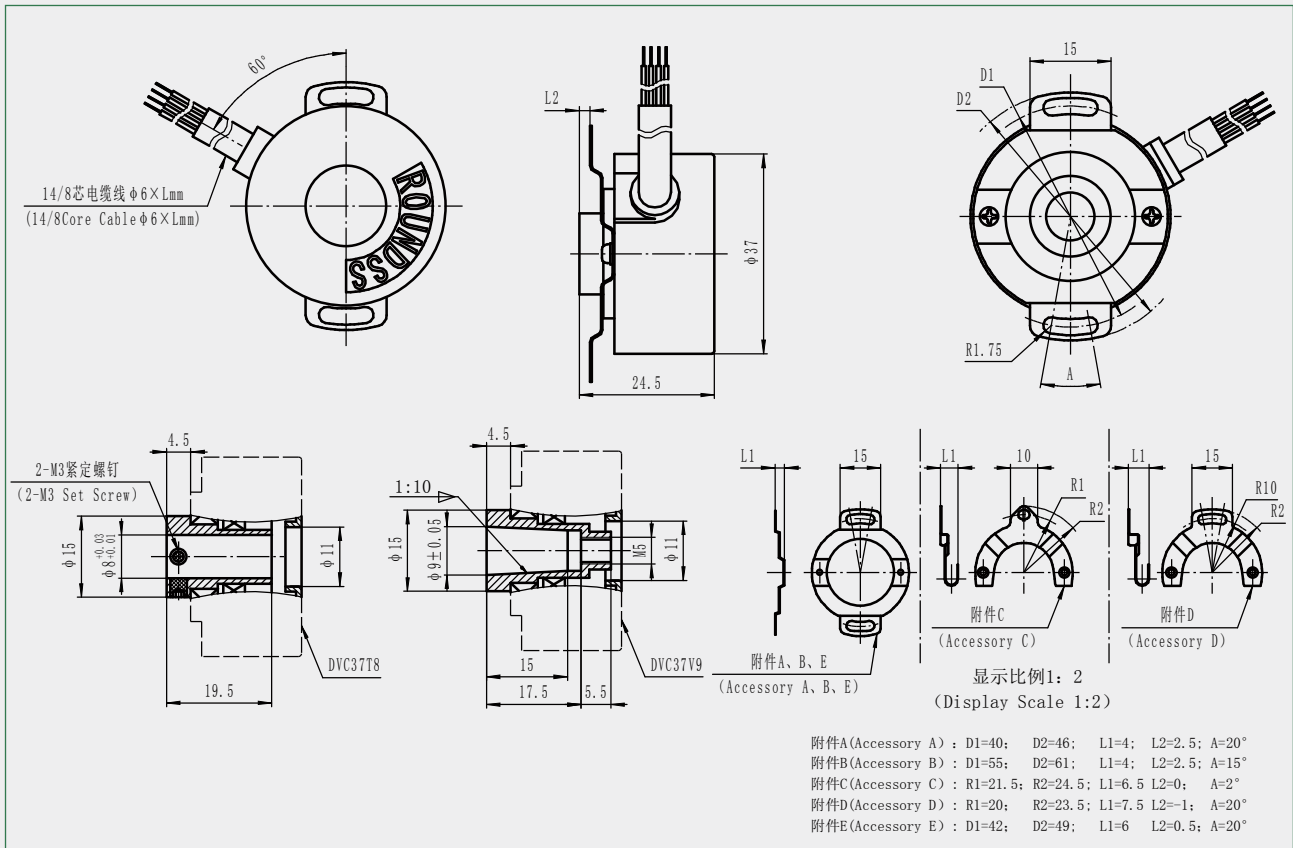


Less Wiring Type Timing Chart



Output Phase Shift





Connection

Standard Type

Color	Red	Black	Gray	Green	Yellow	Brown	Green	Orange
Line Driver	DC+5V	GND	A	B	Z	U	V	W

Color	White/Gray	White/Green	White/Yellow	White/Brown	White/Green	White/Orange	Shield
Line Driver	\bar{A}	\bar{B}	\bar{Z}	\bar{U}	\bar{V}	\bar{W}	G

Less Wire Type

Color	Red	Black	Gray	Green	Yellow	Brown	Green	Orange	Shield
Line Driver	DC+5V	GND	U/A	V/B	W/Z	\bar{U}/\bar{A}	\bar{V}/\bar{B}	\bar{W}/\bar{Z}	G

China Rongde Optics Co., Ltd

www.roundssencoder.com

