

# Product Selection Guide



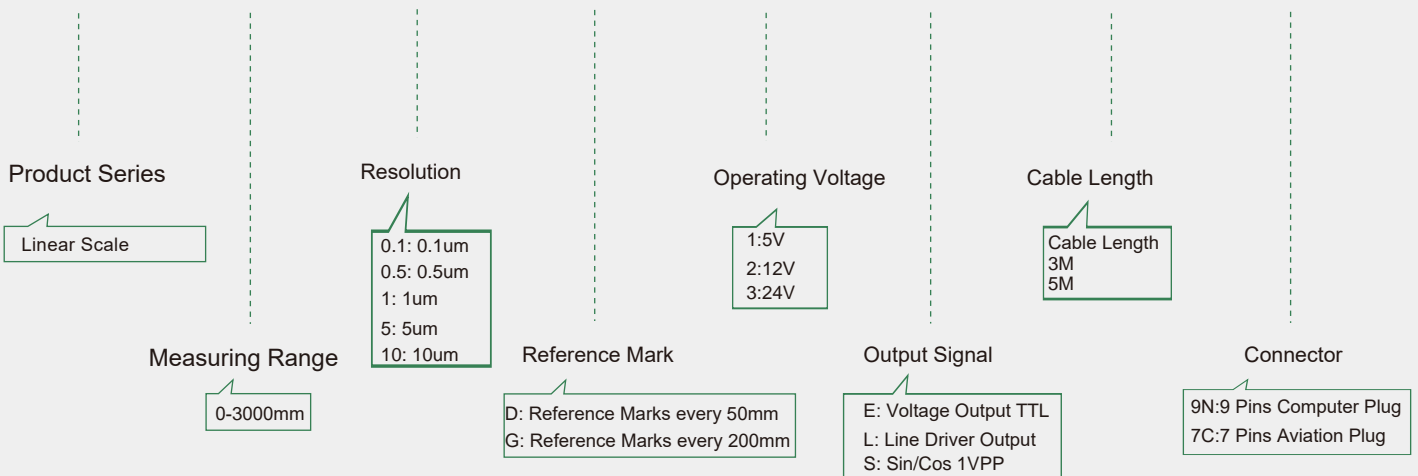
RLC-700 Series



Optical linear scales series RLC700 are accurate and reliable; thanks to their reduced dimensions they can be applied even on small-sized machine tools (millers, lathes, grinders, spark erosion machines). Sealed Sensor ensures the reliable performance and easy installation. High resolutions up to 0.1 $\mu$ m.

## Part Number

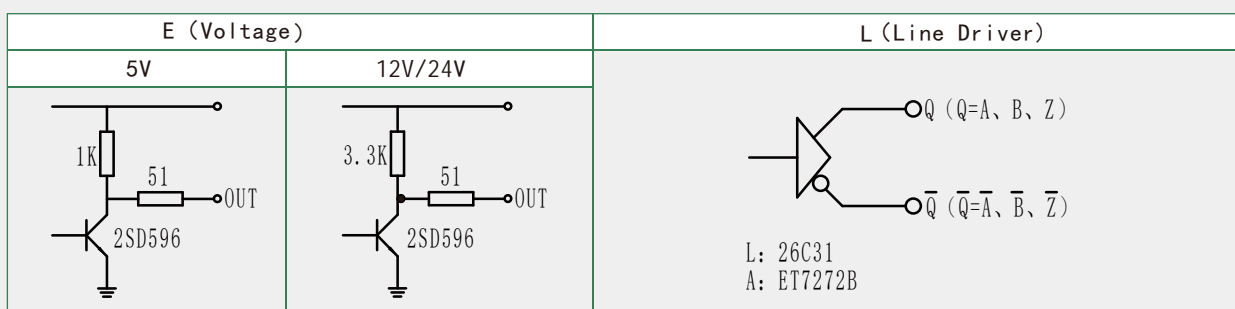
**RLC700 - 500 - 1 G 1 E - 3M 9N**



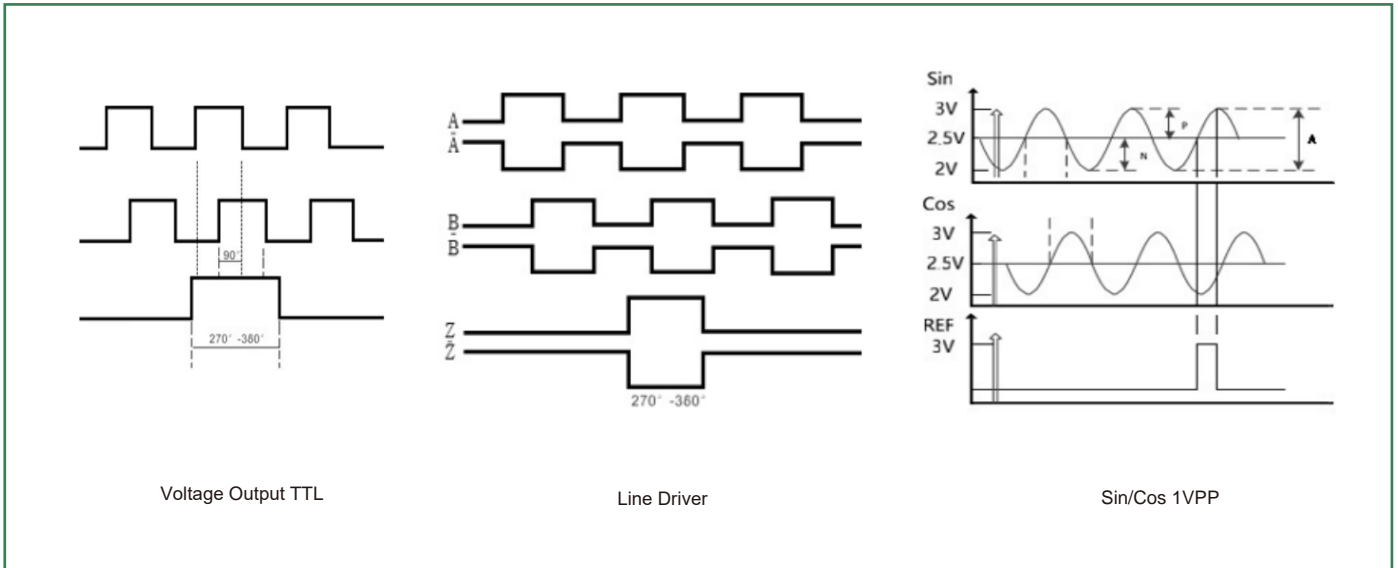
## Technical Specifications

Measuring Range	0-3000mm
Resolution	0.1 $\mu$ m, 0.5 $\mu$ m, 1 $\mu$ m, 5 $\mu$ m, 10 $\mu$ m
Accuracy	$\pm 10\mu$ m, $\pm 5\mu$ m, $\pm 3\mu$ m
Reference Mark	Reference marks every 50mm or 200mm
Operating Voltage	5V, 12V, 24V
Output Signal	Voltage(A,B,Z)/Line Driver (A,B,Z,A/,B/,Z/)
Motion speed	$\leq 180$ m/min (max acceleration in measuring direction $\leq 100$ m/s <sup>2</sup> )
Operating Temperature	10 °C ~ +40°C
Storage Temperature	-40 °C ~ +55°C
Protection class	IP54

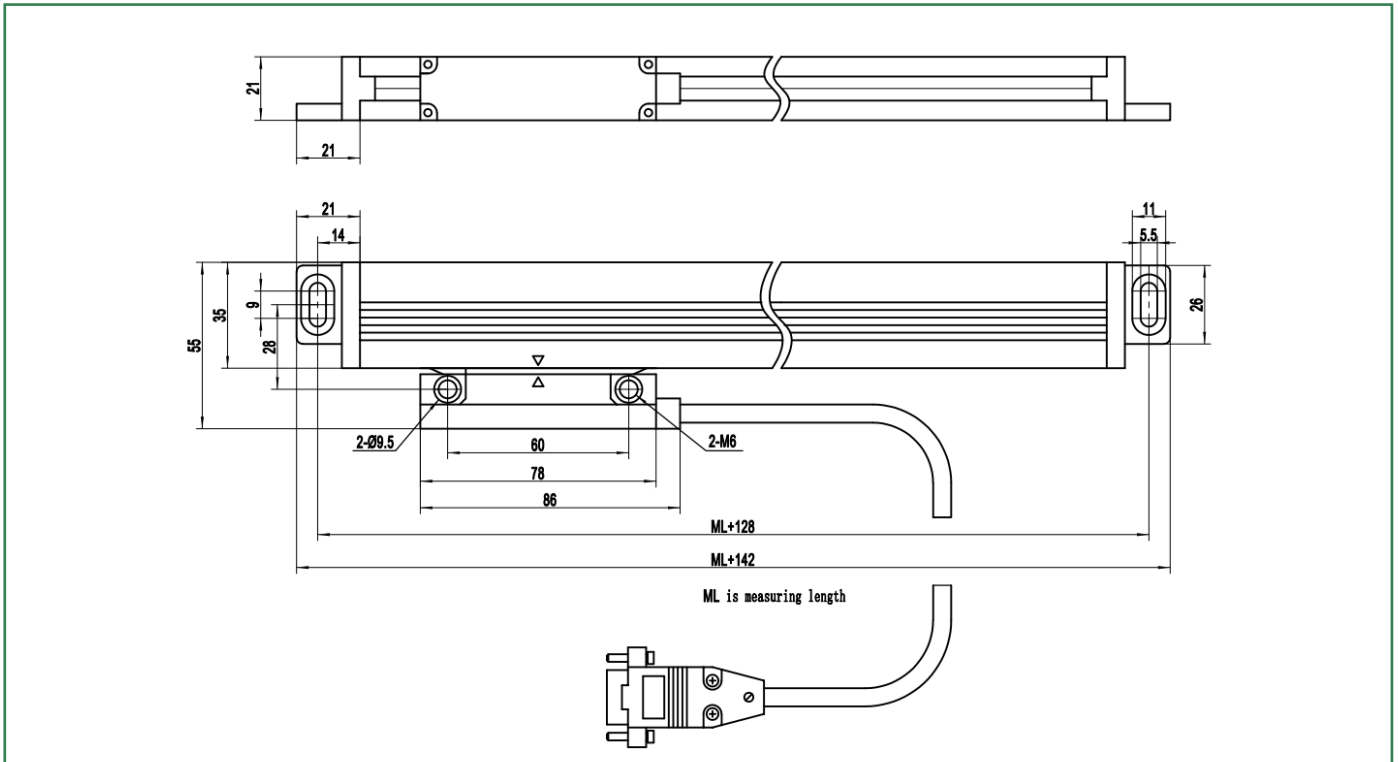
## Output Circuits



# Output Waves



# Dimensions



# Connections

Connector PN	Output Signals	Pins No	1	2	3	4	5	6	7	8	9
7C	Voltage Output(TTL)	Signal	0V	/	A	B	Vcc/VDD	Z	G	/	/
		Cable Color	Black	/	Blue	Green	Red	Yellow	Shield	/	/
9N	Voltage Output(TTL)	Signal	Vcc/VDD	0V	A	B	Z	/	G	G	/
		Cable Color	Red	Black	Blue	Green	Yellow	/	Shield	Shield	/
9N	Line Driver Output	Signal	Vcc	0V	A	B	Z	/A	/B	/Z	Shield
		Cable Color	Red	Black	Blue	Green	Yellow	Brown	Gray	White	Shield

